

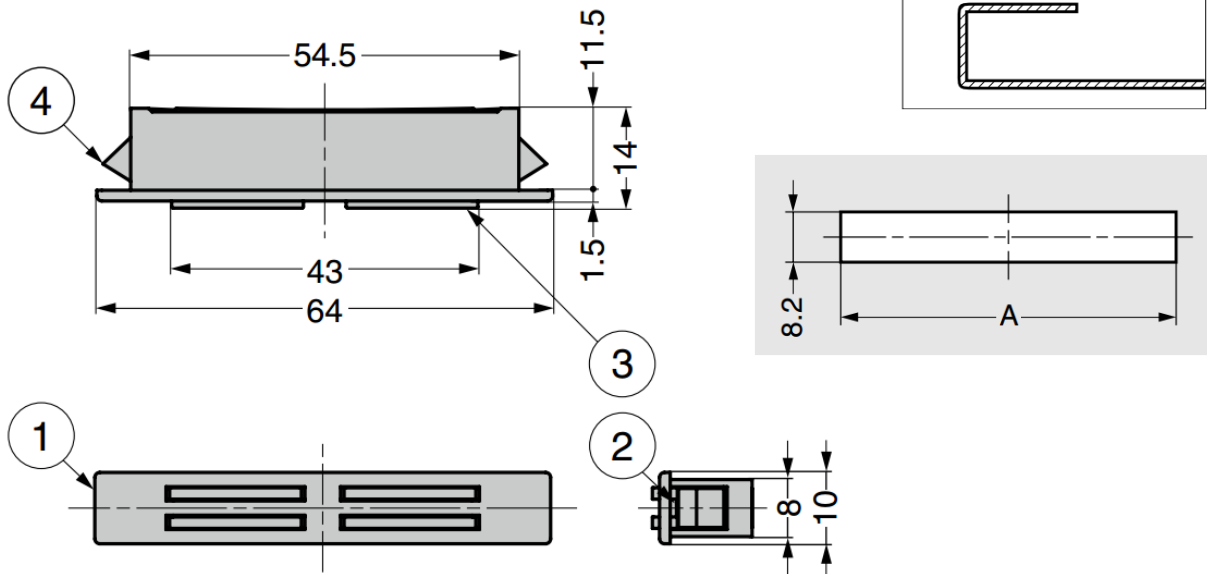
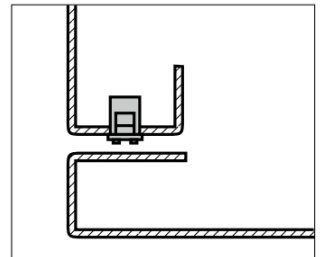
## GMC-FS10/17 Snap In Magnetic Catch

### Features

- Snap in installation

### Bore Dimensions

Door Thickness	A
0.8	55
1.0	
1.2	55.5
1.6	56
2.0	56.5



No.	Part Name	Material	Finish / Colour
①	Body	ABS	White, Black (GMC-FS10B)
②	Yoke	Steel (SPCC)	Coloured Zinc Chromate (Trivalent)
③	Magnet	Ferrite	-
④	Spring	POM	White (GMC-FS10) Red (GMC-FS17W)

Part No.	Body Colour	Magnetic Force	
GMC-FS10W	White	44.1 N	4.5 kg
GMC-FS10B	Black		
GMC-FS17W	White	58.8 N	6 kg